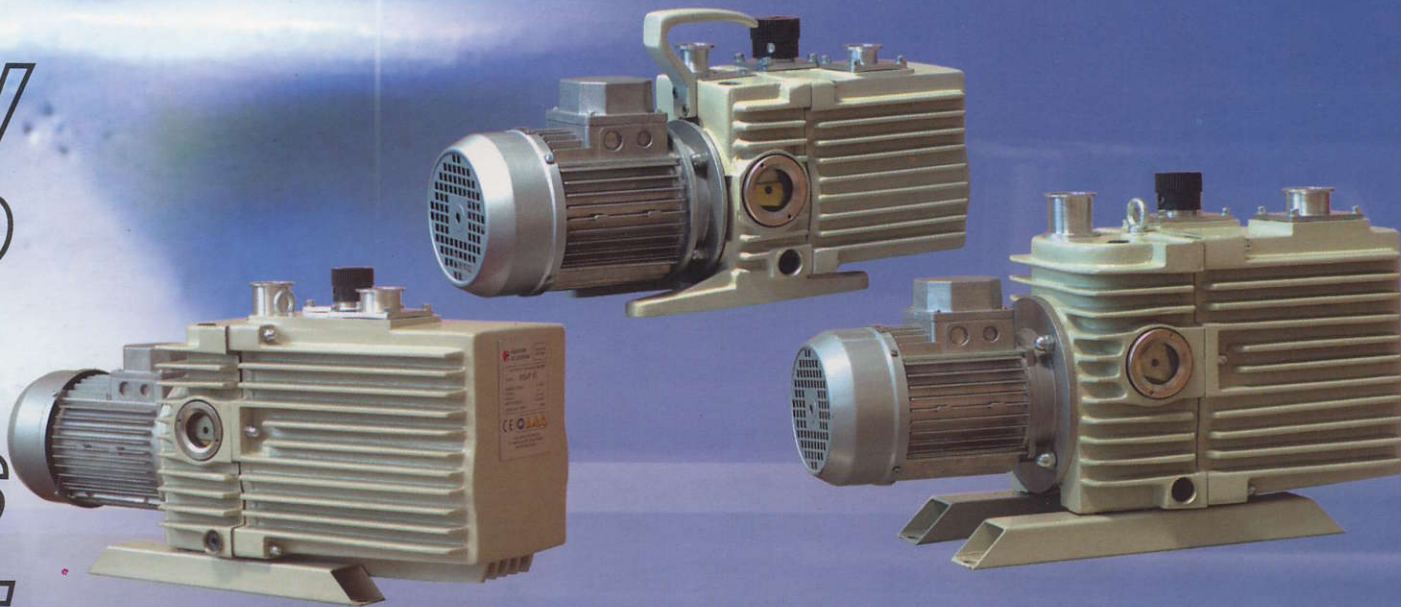


# OIL ROTARY VANE

T  
W  
O  
  
S  
T  
A  
G  
E



## SPECIFICATIONS

Description		Measure	Model		
			RTVP 16 A/AC	RTVP 30 A/AC	RTVP 60 A/AC
Free Air Pumping *		m <sup>3</sup> /h	20	38	76
Pumping Speed **		m <sup>3</sup> /h	16	30	60
Ultimate remaining pressure ***	-Gas-ballast-Closed	mbar	2,5x10 <sup>-4</sup>	2,5x10 <sup>-4</sup>	2,5x10 <sup>-4</sup>
	-Gas-ballast-Open	mbar	6,5x10 <sup>-3</sup>	6,5x10 <sup>-3</sup>	6,5x10 <sup>-3</sup>
Ultimate operational pressure ****	-Gas-ballast-Closed	mbar	≤4x10 <sup>-4</sup>	≤4x10 <sup>-4</sup>	≤4x10 <sup>-4</sup>
	-Gas-ballast-Open	mbar	≤6,5x10 <sup>-3</sup>	≤6,5x10 <sup>-3</sup>	≤6,5x10 <sup>-3</sup>
Incoming voltage (50Hz)			220V 1-PH 220V/380V 3-PH	220V/380V 3-PH	220V/380V 3-PH
Electric motor power		kW	0,55	1,1	2,2
Nominal speed, prm		min <sup>-1</sup>	1380	1380	1400
Noise level		dB(A)	58	60	66
Quantity of oil		l	1,3	3,4	4,1
Recommended oil			N62	N62	N62
Tolerance of ambient temperature		°C	12~40	12~40	12~40
Input / Output type			NW 25/ NW 25	NW 40/ NW 40	NW 40/ NW 40
Dimensions		mm	550(L) x 172(W) x 290(H)	615(L) x 242(W) x 365(H)	730(L) x 242(W) x 365(H)
Weight		kg	30	73	90

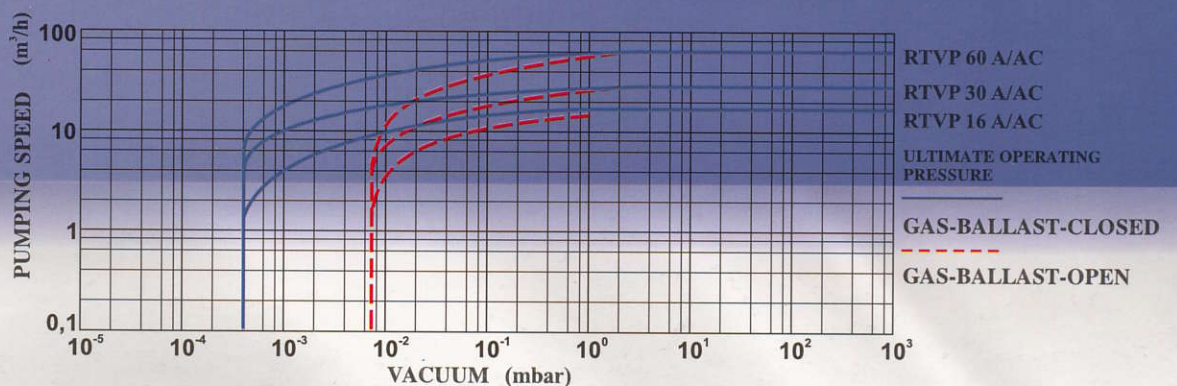
\* Theoretical pumping speed.

\*\* Pumping speed in working media, measured at specific laboratory conditions gas, pressure, temperature, etc. This speed is variable, depending on the real operation process.

\*\*\* Lowest values of pressure (with/without gas ballast), which can be obtained at specific laboratory conditions.

\*\*\*\* Operational pressure values (with/without gas ballast), obtainable in real conditions, in accordance with the pump operation instructions.

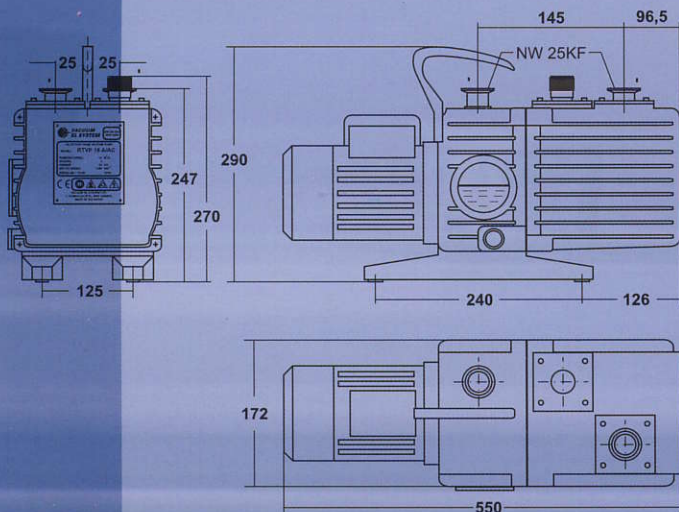
All measurements of vacuum pumps parameters are done in compliance with the factory instructions.





# VACUUM PUMPS

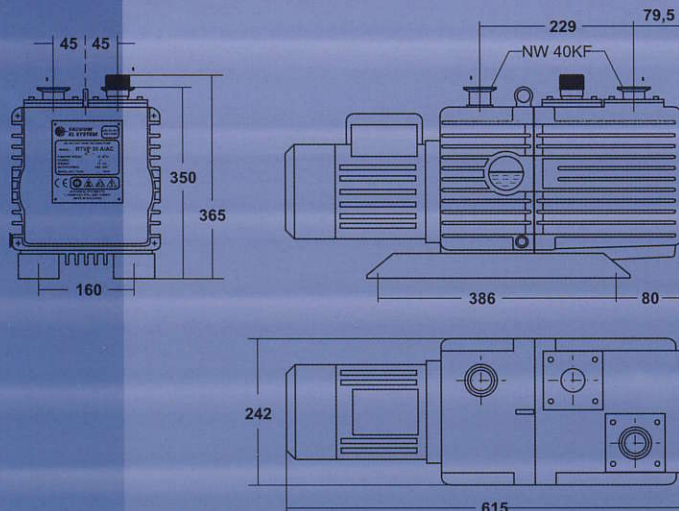
## RTVP 16 A/AC



## APPLICATIONS

- Sputter and deposition systems
- Vacuum ovens and furnaces
- Leak detection
- Electron microscopes
- Mass spectrometers
- Molecular beam epitaxy and lasers
- Production of semiconductors
- Crystal growing
- Sterilization
- Vacuum metallurgy
- Research and production

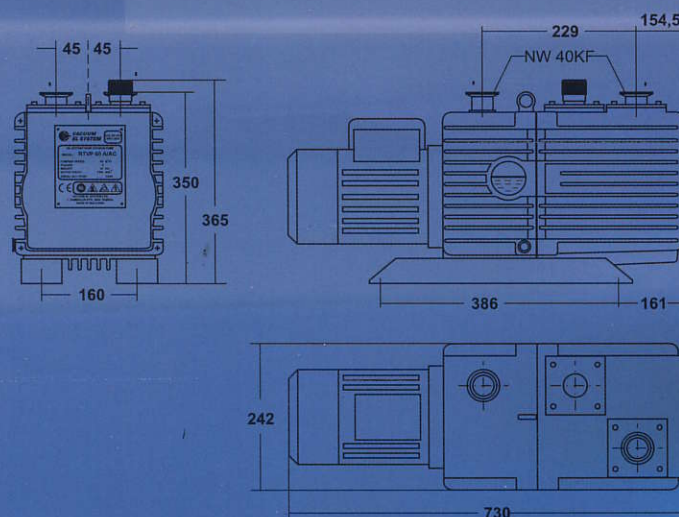
## RTVP 30 A/AC



## BENEFITS

- Superior quality
- Robust and highly reliable
- Long service period
- Low oil consumption and no oil contamination
- Designed for continuous operation
- Easy maintenance
- Two-year guarantee period
- Inexpensive

## RTVP 60 A/AC



## FEATURES

- Two-stage compact design
- One or three phase motor, 220/380 VAC
- High pumping speed
- Low noise and vibration level
- Standard inlet/outlet connection NW
- Models RTVP - AC are designed for aggressive mediums
- Handle or hook for easy moving
- Coalescence with foreline traps and exhaust filters if necessary
- Large oil tank
- Double rotor bearing
- Surface air-cooling